



US00D703359S

(12) **United States Design Patent**
Thomas et al.

(10) **Patent No.:** US D703,359 S
(45) **Date of Patent:** ** Apr. 22, 2014

- (54) **TRACK LIGHT FIXTURE**
- (71) Applicant: **ElectraLED, Inc.**, Largo, FL (US)
- (72) Inventors: **James Thomas**, Tierra Verde, FL (US);
Vladimir Volochine, Safety Harbor, FL (US)
- (73) Assignee: **ElectraLED, Inc.**, Largo, FL (US)
- (**) Term: **14 Years**
- (21) Appl. No.: **29/465,787**
- (22) Filed: **Aug. 30, 2013**

D326,162 S *	5/1992	Price	D26/63
6,135,615 A *	10/2000	Lee	362/648
D442,309 S *	5/2001	Miller et al.	D26/63
D491,684 S *	6/2004	McInnis	D26/63
D538,959 S *	3/2007	Kosche	D26/63
D541,456 S *	4/2007	Kosche	D26/63
D589,189 S *	3/2009	Sabernig	D26/63
D616,118 S	5/2010	Thomas et al.		
D624,214 S	9/2010	Thomas et al.		
D625,450 S *	10/2010	Rosenkrantz et al.	D26/61
8,235,555 B2	8/2012	Thomas et al.		
D671,252 S *	11/2012	You	D26/63

* cited by examiner

Primary Examiner — Brian N Vinson

(74) *Attorney, Agent, or Firm* — McDermott, Will & Emery LLP

Related U.S. Application Data

- (62) Division of application No. 29/405,921, filed on Nov. 8, 2011.
- (51) **LOC (10) Cl.** **26-03**
- (52) **U.S. Cl.**
USPC **D26/63**
- (58) **Field of Classification Search**
USPC D26/24, 60–66, 72, 85, 92, 113,
D26/118–119; 362/89, 217.01, 217.02,
362/217.1, 217.14, 217.16, 220, 257,
362/268–69, 275, 277, 282, 285, 310, 362,
362/368, 370, 382, 404, 418, 425, 427, 432,
362/457, 804, 549.04, 648
See application file for complete search history.

(57) **CLAIM**

The ornamental design for a track light fixture, as shown and described.

DESCRIPTION

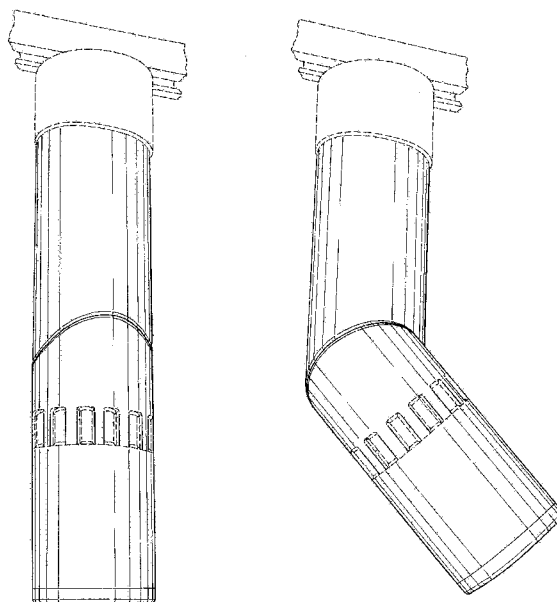
FIG. 1 is a perspective view of track light fixture showing our new design;
 FIG. 2 is a front elevational view thereof;
 FIG. 3 is a first side elevational view thereof;
 FIG. 4 is a bottom plan view thereof;
 FIG. 5 is a second side elevational view thereof;
 FIG. 6 is a perspective view thereof, shown in an angled position;
 FIG. 7 is an additional perspective view thereof, shown in an angled position; and,
 FIG. 8 is a perspective view thereof, shown in a different angled position.
 The broken-line disclosure illustrates portions of the fixture which form no part of the claimed design.

(56) **References Cited**

U.S. PATENT DOCUMENTS

D290,754 S *	7/1987	Kira	D26/24
4,814,955 A *	3/1989	Price	362/275
D323,565 S *	1/1992	Woodgate	D26/63

1 Claim, 6 Drawing Sheets



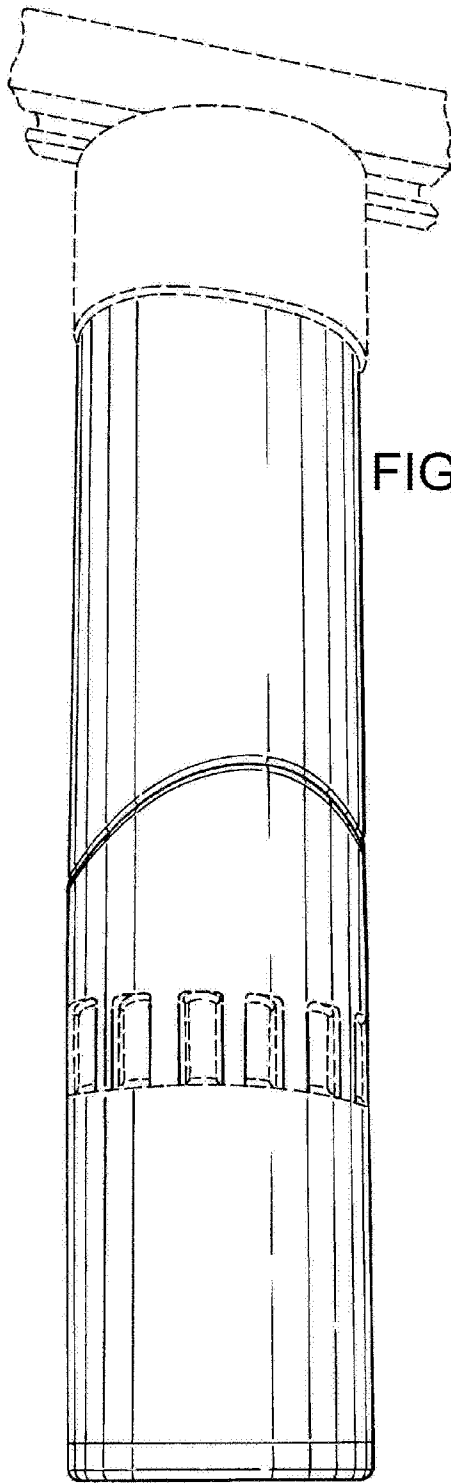


FIG. 1

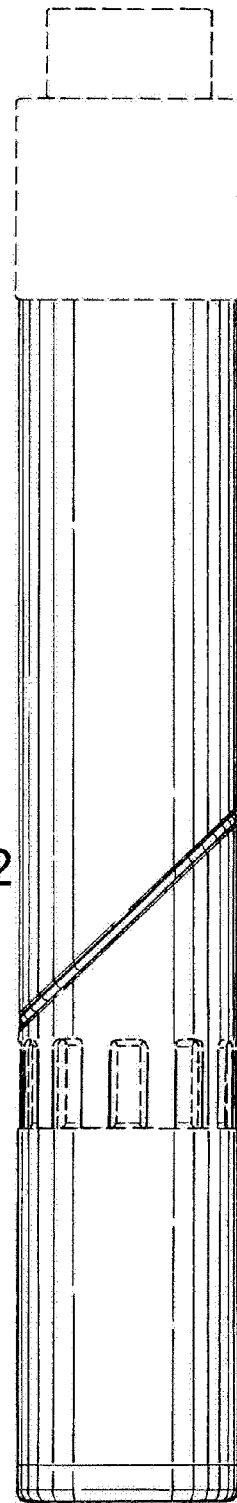


FIG. 2

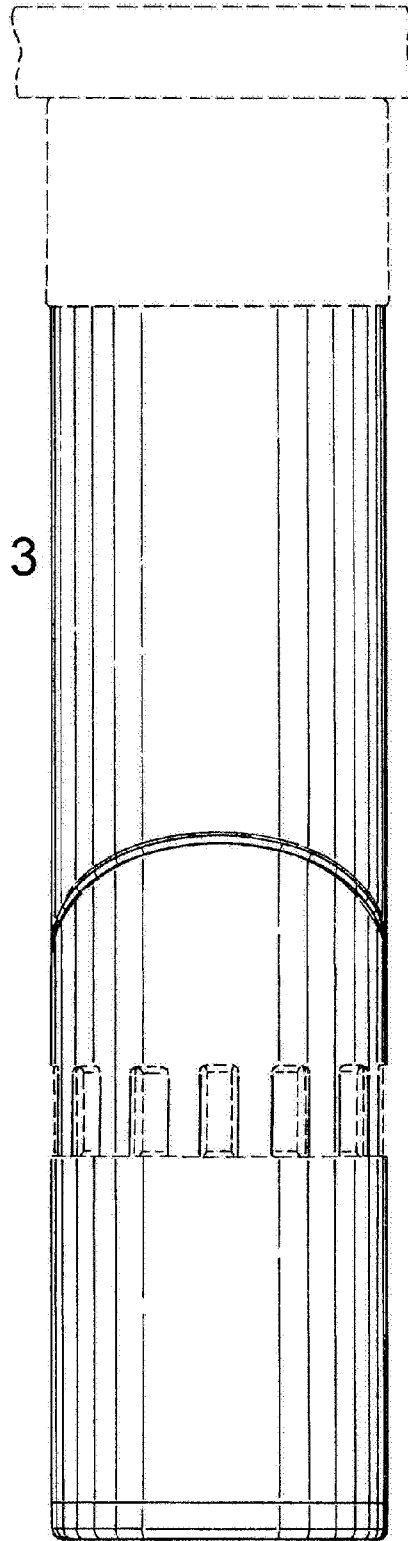


FIG. 3

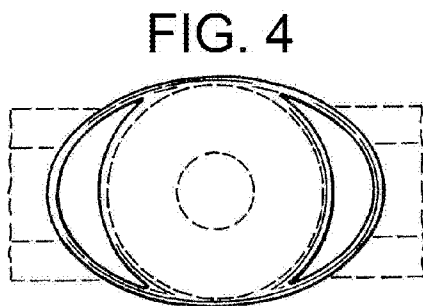
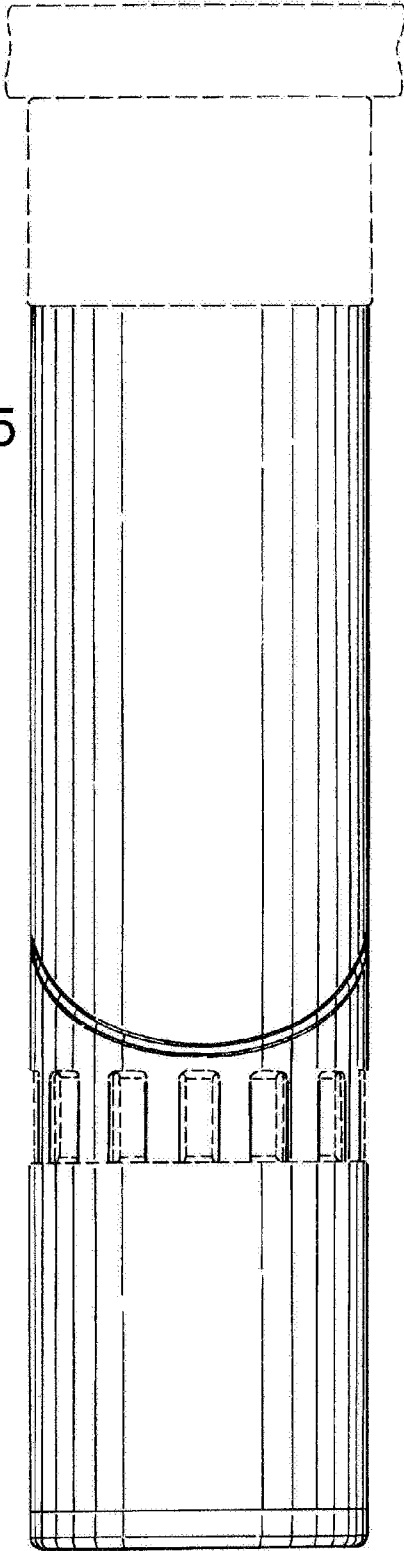


FIG. 4

FIG. 5



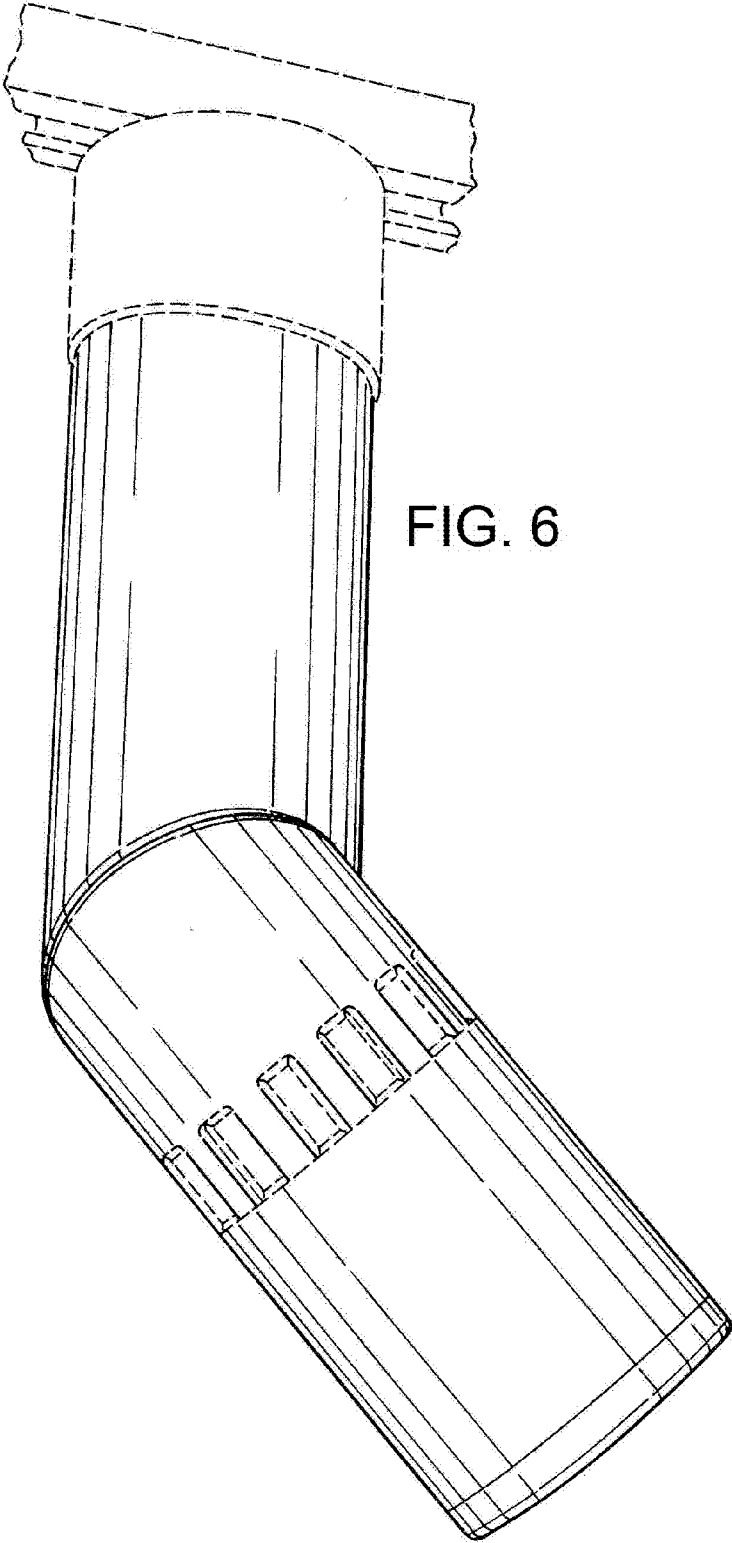


FIG. 6

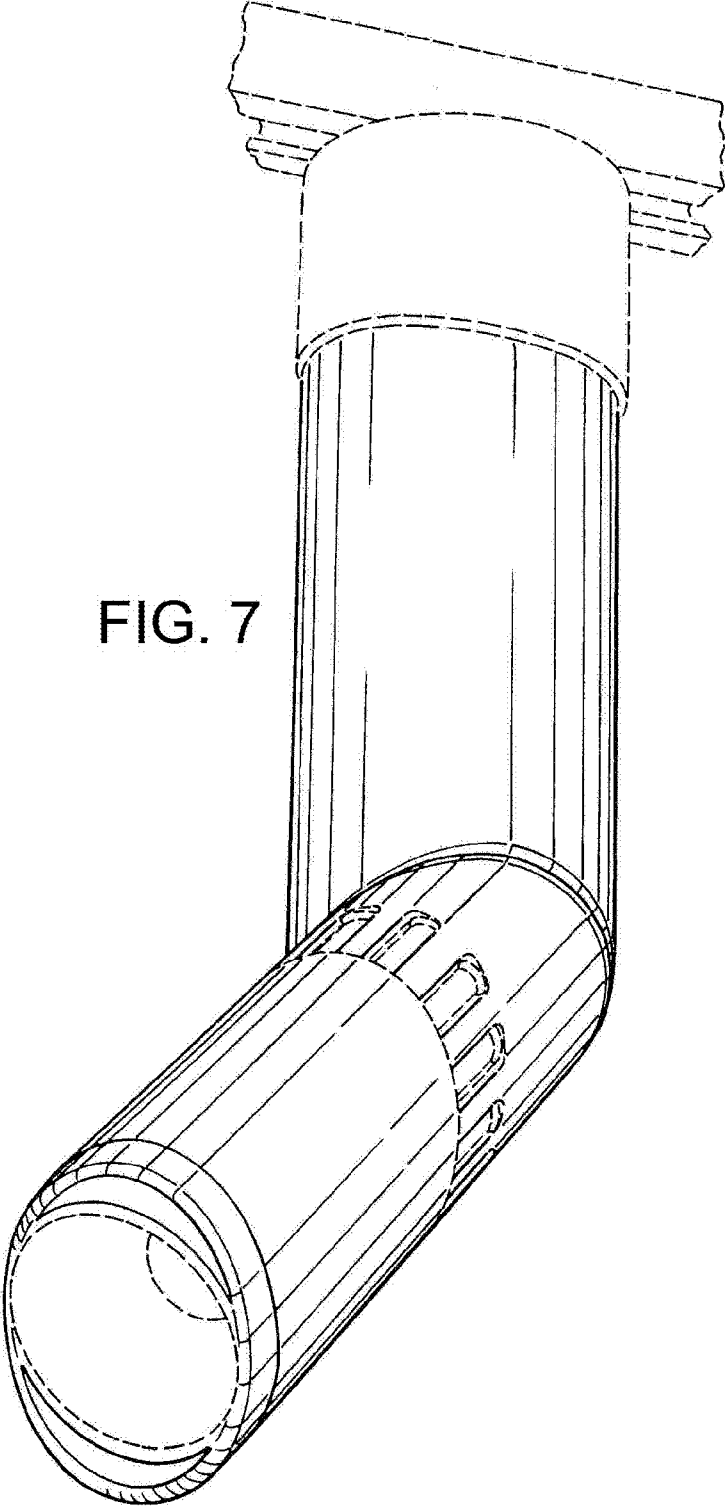


FIG. 7

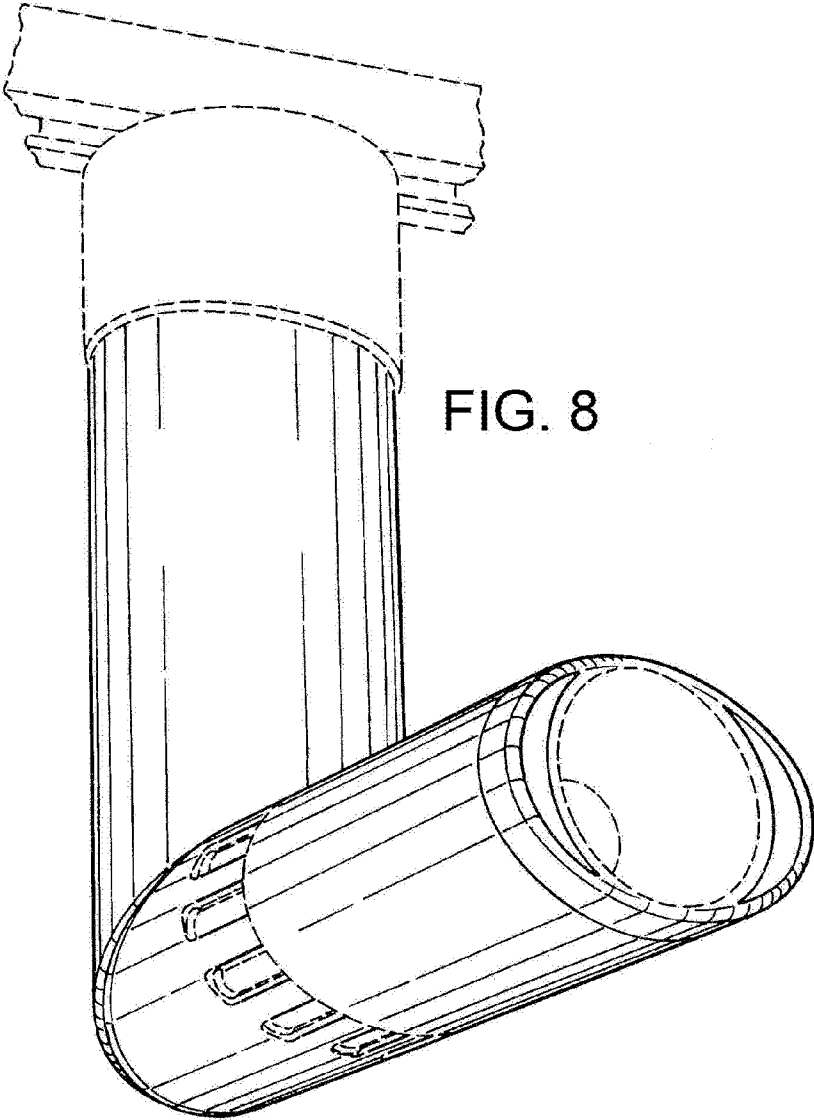


FIG. 8