

Dimming Guide

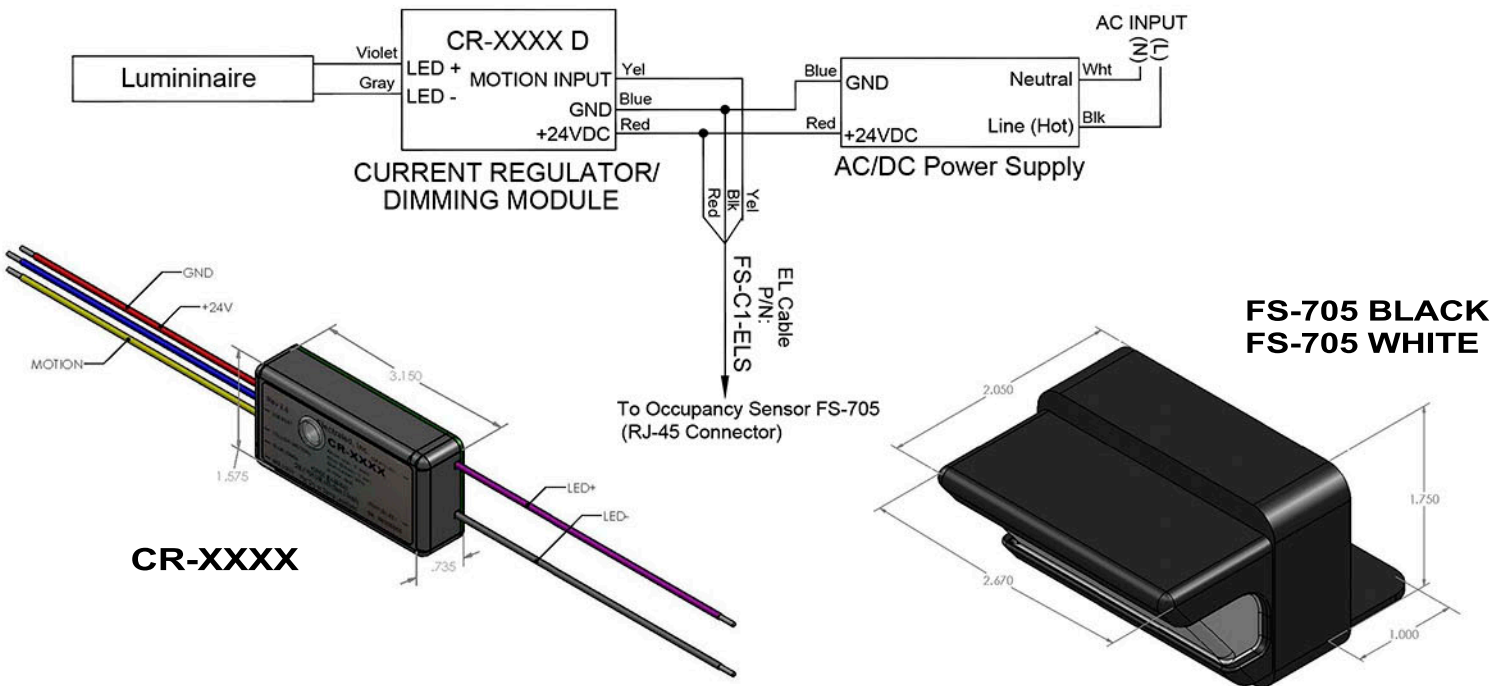
ECLIPSE™

LUNAR ECLIPSE OCCUPANCY DIMMING

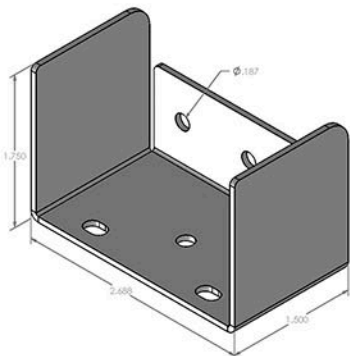
Regulator / Dimming Module

Model	Brand	Details	Input Voltage (VDC)	Output Voltage (VDC)	Output Current (mA)	Dimming Type	Device Efficiency
CR-XXXX(D)	ElectraLED	Current Regulator	24	12-23.5	300-3600	0-10 VDC or Motion Sensor	>90%

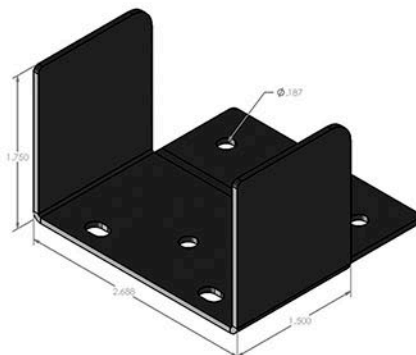
WIRING DIAGRAM



FS-705 MOUNTING BRACKETS



**EL-2003 WHITE
EL-2003 BLACK**



**EL-2007 BLACK
EL-2007 WHITE**



ELS-WIREKIT
RJ-45 connector
+ 20' of wire

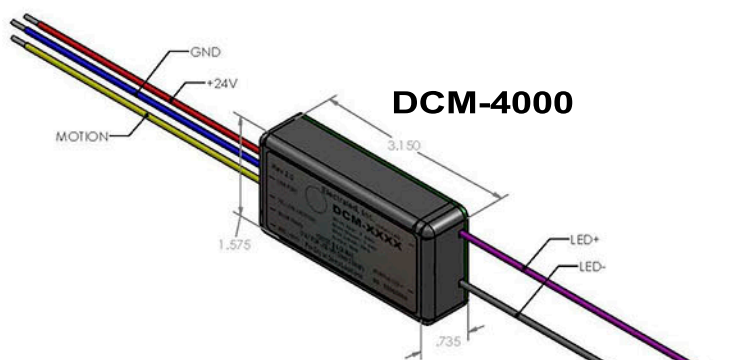
Dimming Guide

ECLIPSE™

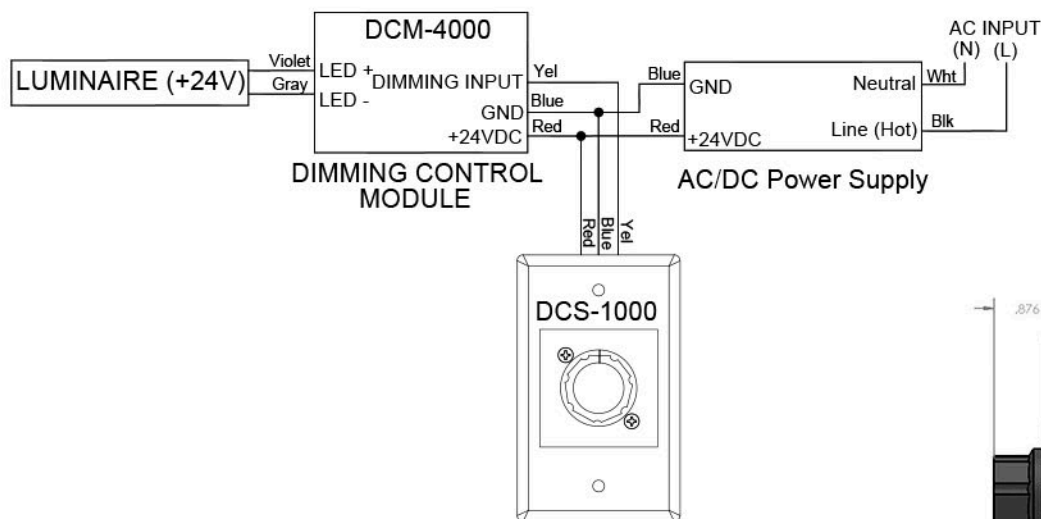
24V DIMMING

Model #	Input Voltage (VDC)	Input Current (Max) (mA)	Input Control Signal (VDC)	Output Voltage (VDC)	Output Current (Max) (mA)
DCM-4000*	24	4000	0-10	24	4000

*Note: Total LED lighting load combined per 1 DCM-xxxx



WIRING DIAGRAM



Model #	Input Voltage (VDC)	Input Current (Max) (mA)	Output Voltage (VDC)	Output Current (Max) (mA)
DCS-1000	24	2.5	0-10	2.5

DCS-1000

Dimming Guide

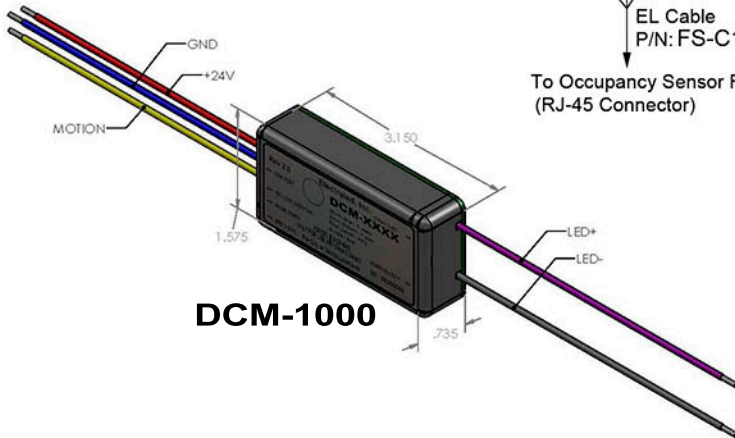
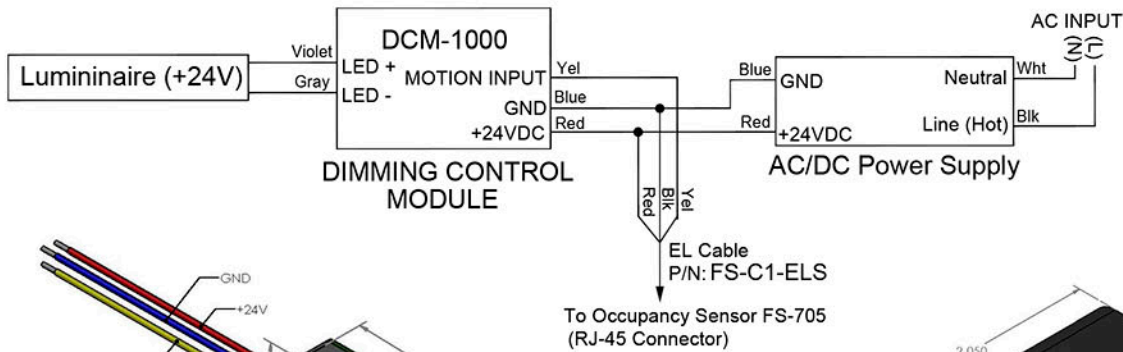
ECLIPSE™

24V OCCUPANCY DIMMING

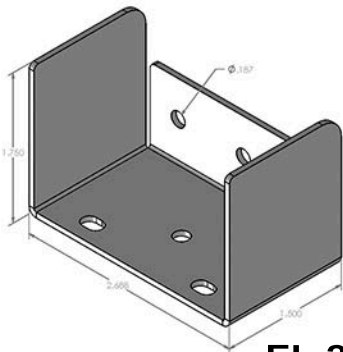
Model #	Input Voltage (VDC)	Input Current (Max) (mA)	Input Control Signal Voltage (VDC)	Output Voltage (VDC)	Output* Current (Max) (mA)
DCM-1000	24	4000	0-24	24	4000

*Total LED lighting load combined per 1 DCM-XXXX

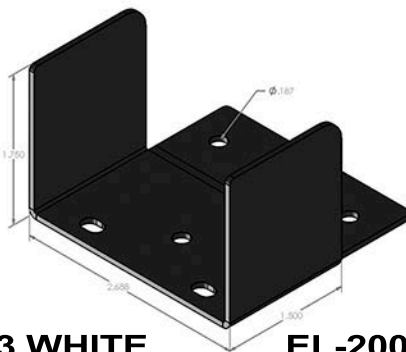
WIRING DIAGRAM



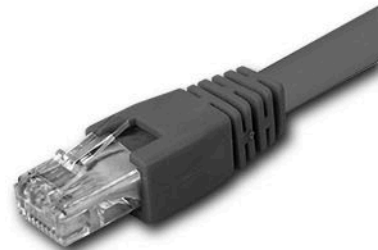
FS-705 MOUNTING BRACKETS



EL-2003 WHITE
EL-2003 BLACK



EL-2007 BLACK
EL-2007 WHITE



ELS-WIREKIT
RJ-45 connector
+ 20' of wire