

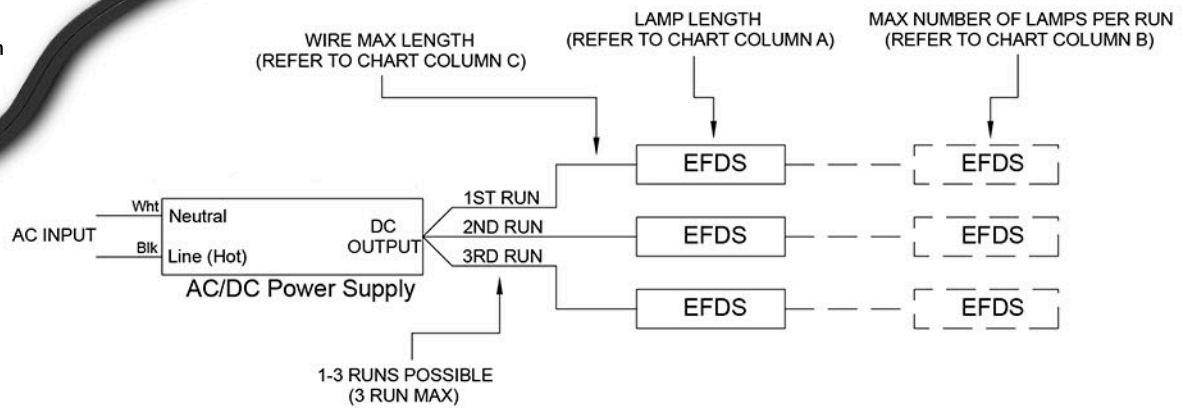
# Daisy Chain Guide

**TOTAL ECLIPSE™**

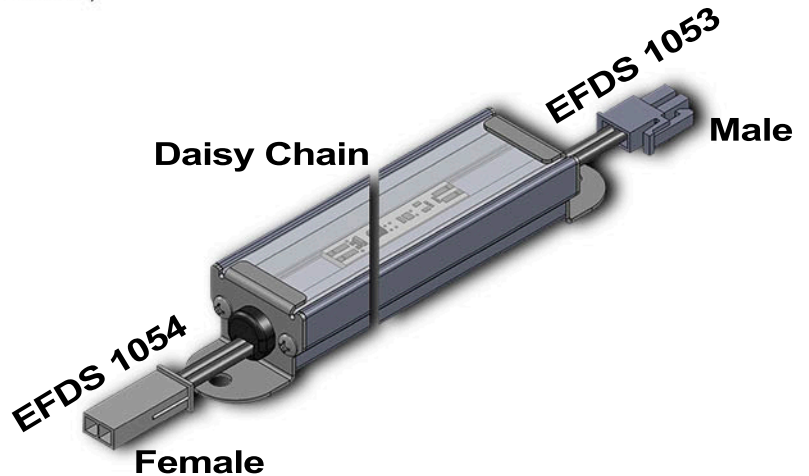
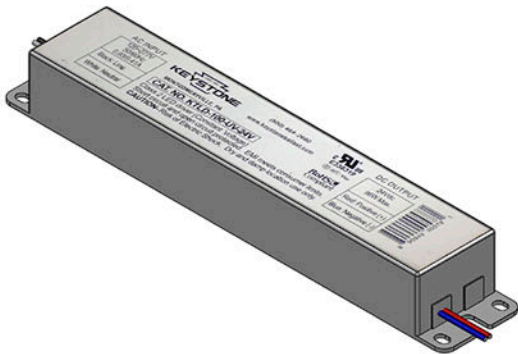
## Daisy Chain Applications

### Power Supply Cord EFDS 1055\*

\*One needed per run



### Power Supply 100W PS



Model #	(A)	(B)	(C)	(D)	Max # Runs per 100W Driver
	Lamp Length (ft)	Max # Lamps in Series (Single Run)	Wire Max Length 18 AWG (ft)	Total Lamp Power per Run (w)	
EFDS	6	2	10	28.8	3
EFDS	5	2	16	24	3
EFDS	4	3	9	28.8	3
EFDS	3	4	9	28.8	3
EFDS	2	6	8	28.8	3
EFDS	1	12	5	28.8	3