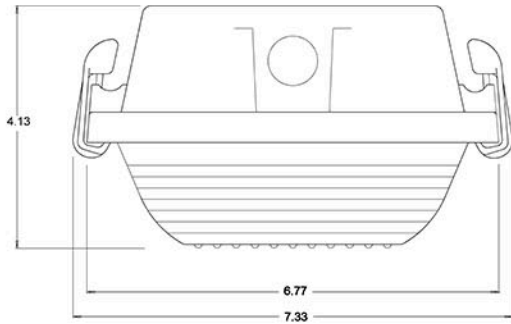
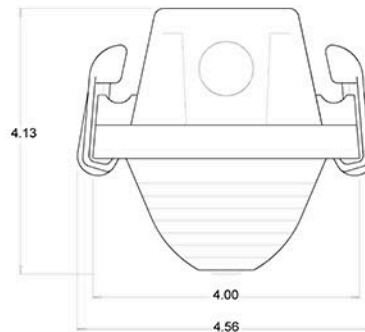


Wide



Narrow



OPTICS

- High performance LED light engine
- CRI: 80+ typical
- L70 Life: 64,000 hours
- Color Temp: 3500K, 4000K and 5000K
- IP67 rated for outdoors



*See OPL list for ElectraLED listed models at: designlights.org/OPL

NAICS Code #335122 / 335110
CAGE/NCAGE #58AB4 • GSA schedule #56



Contact ElectraLED for details

| Performance Data | | | | | | | | |
|------------------|------------------|---------|--------|--------|------------|------------|-------|-------|
| Model | Description | CCT (K) | Lumens | Life | Energy (W) | Dimensions | | |
| | | | | | | (L) | (W) | (D) |
| VL14-4NKK | 4' Length-Narrow | 4000 | 1,582 | 64,000 | 19.0 | 51.63" | 4.25" | 4.25" |
| VL24-4WKK | 4' Length-Wide | | 3,013 | | 38.0 | 51.88" | 6.75" | |
| VL22-2WKK | 2' Length-Wide | | 1,558 | | 19.0 | 27.75" | 6.75" | |

KK = Color Temperature (35 = 3500K, 40 = 4000K, 50 = 5000K)

| ORDERING GUIDE | Example: VL14-4W40-NO14A | |
|---------------------------------|--------------------------|------------------------------------|
| Model | CCT (K)* | NO14A |
| VL14 - 4N = 4' - Narrow Version | 35 = 3500 | NO14A = Engineering reference only |
| VL24 - 4W = 4' - Wide Version | 40 = 4000 | |
| VL22 - 2W = 2' - Wide Version | 50 = 5000 | |

Specifications subject to change without notice

* Note: 4000K & 5000K are stock items, 3500K available upon request. Conditions apply.

This product complies with IEEE C62.41 for surge endurance up to 2.5KV. ElectraLED® recommends using the SP20-TN for additional surge protection. Surge damage is not covered by warranty.