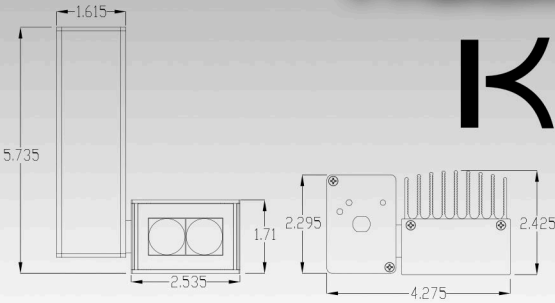
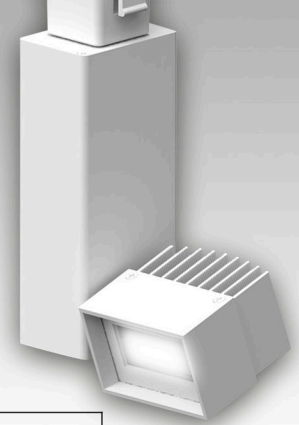
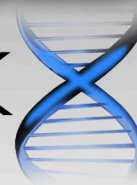


Track Lighting Fixture

KUBELUX™



Light Cone Data

Light Fixture		K2TL			
Wattage		9.75			
REAL SPOT (R)					
Distance From Wall	2750K CBFC Max	3000K CBFC Max	3500K CBFC Max	50% CBFC Beam Diameter	
5.0'	281	322	355	11	
7.5'	104	131	148	16	
10.0'	59	71	82	21	
12.5'	38	47	54	27	
15.0'	27	34	39	32	
SMOOTH SPOT (S)					
Distance From Wall	2750K CBFC Max	3000K CBFC Max	3500K CBFC Max	50% CBFC Beam Diameter	
5.0'	158	180	197	14	
7.5'	69	80	87	21	
10.0'	39	45	49	28	
12.5'	25	29	32	35	
15.0'	18	21	23	42	
DIFFUSED (D)					
Distance From Wall	2750K CBFC Max	3000K CBFC Max	3500K CBFC Max	50% CBFC Beam Diameter	
5.0'	70	82	91	20	
7.5'	32	37	40	30	
10.0'	18	21	23	40	
12.5'	12	12	12	50	
15.0'	9	10	11	60	
MEDIUM (M)					
Distance From Wall	2750K CBFC Max	3000K CBFC Max	3500K CBFC Max	50% CBFC Beam Diameter	
5.0'	50	51	52	30	
7.5'	22	23	23	45	
10.0'	12	13	14	60	
12.5'	8	9	9	75	
15.0'	6	7	7	90	